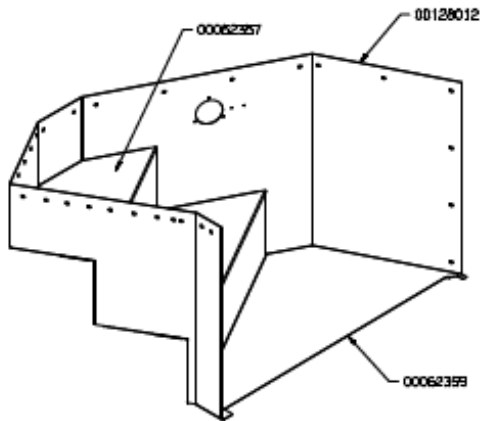


All American Forward Engine Stepwell Cracking

Service Update #21-0429



All American Stepwell Cracking

It has been found that on certain Blue Bird All American, T3FE units that a crack can develop starting at the point where the first “riser” of the stepwell meets the first step (FIGURE #1)

Generally, stepwells are “lined” and have riser “kickplates” which covers any cracking from the “top” side and locating any cracking should be done from in under the vehicle.

Blue Bird has developed a reinforcement should this occur – please see the following information concerning the reinforcement and installation.

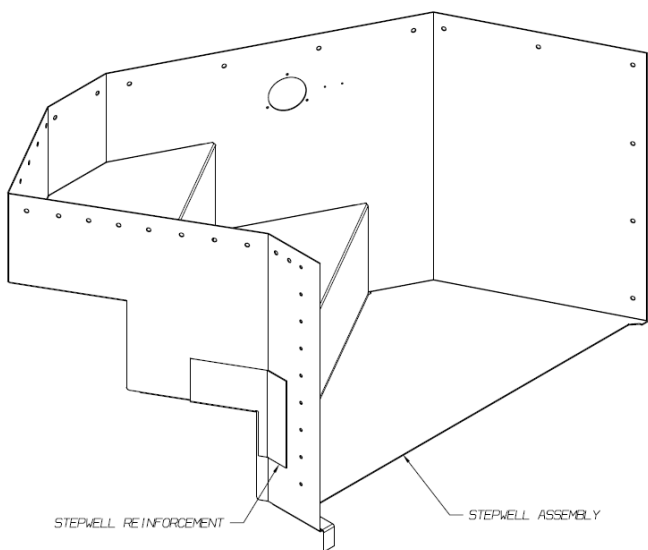
PLEASE NOTE:

This is a warrantable repair within 5 years of the Date In Service

ALL of our Service Updates can be found on the [New York Bus Sales website](#)
Or at the [New York Head Mechanic website](#)

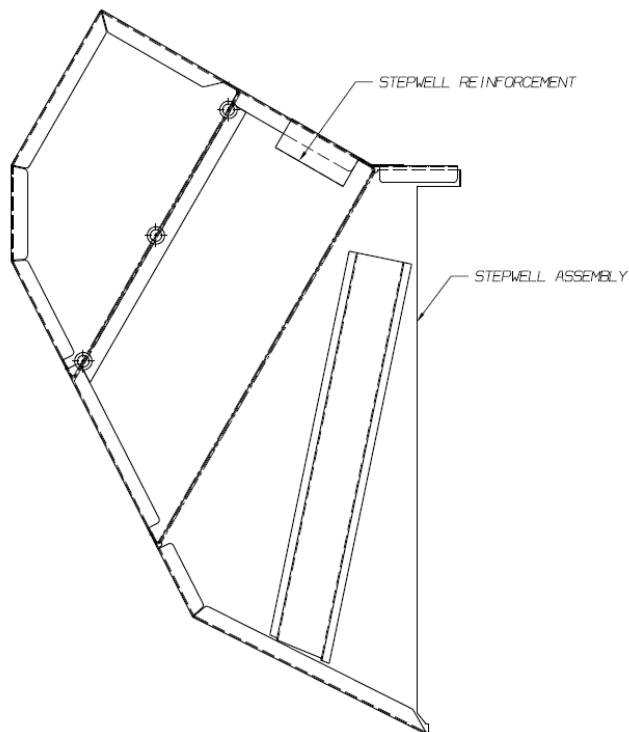


FIGURE #1



ISOMETRIC VIEW

FIGURE #2



BOTTOM VIEW

FIGURE #3

ALL of our Service Updates can be found on the [New York Bus Sales website](#)
 Or at the [New York Head Mechanic website](#)



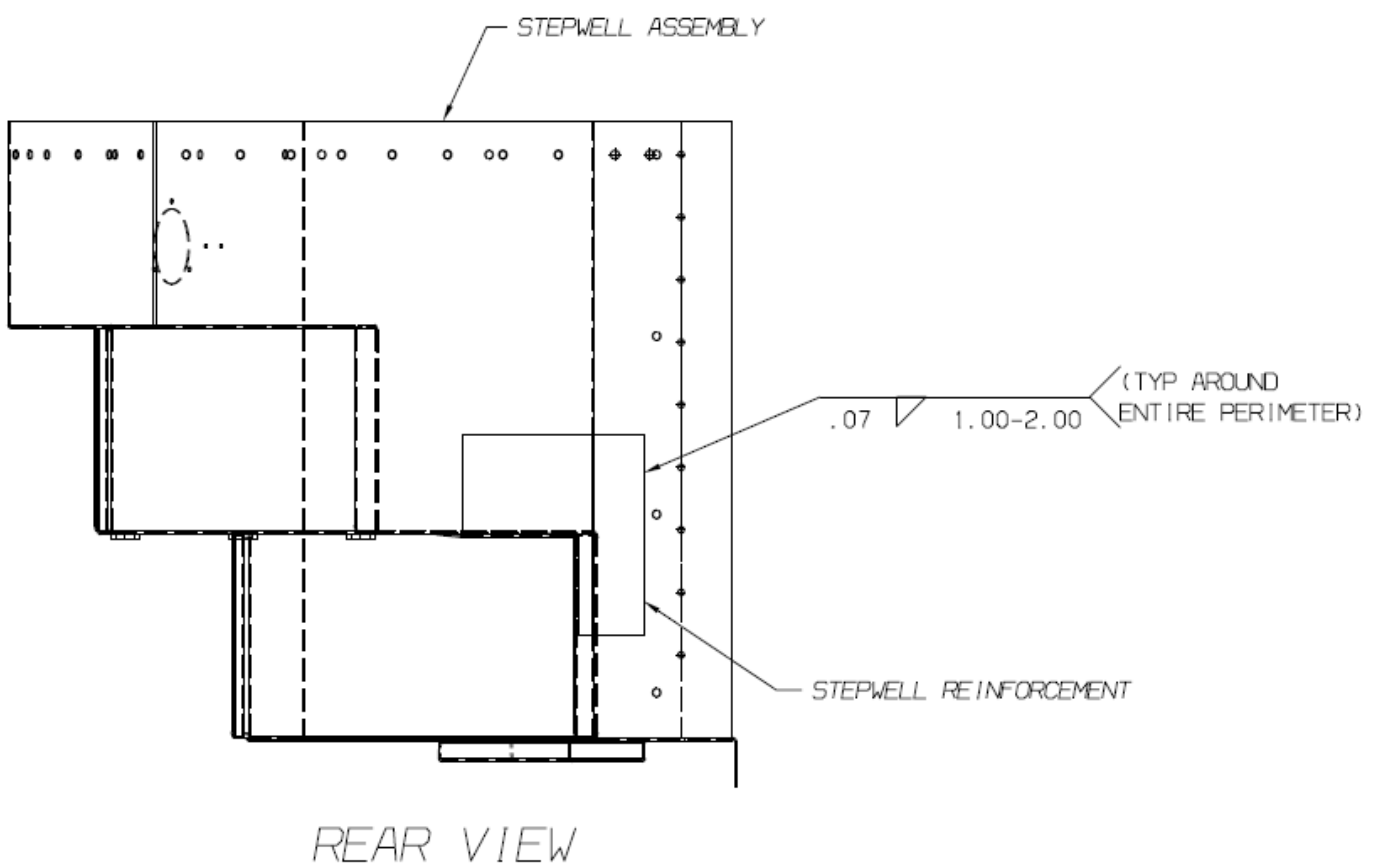


FIGURE #4

FIGURES #2, #3 & #4 show the various views of the reinforcement installed on a stepwell and the following instructions should be followed for installation:

NOTES:

1. USE STEPWELL REINFORCEMENT AS A MARKING TEMPLATE TO MARK AREA ON BACKSIDE OF STEPWELL THAT NEEDS TO HAVE UNDERCOATING AND DEBRIS REMOVED SO THAT REINFORCEMENT CAN BE WELDED IN PLACE. SUGGEST A MINIMUM OF 1 INCH CLEARANCE AROUND BORDER OF REINFORCEMENT BE CLEANED FOR WELDING.
2. DRILL A 1/8 INCH HOLE AT END OF ANY CRACKS TO STOP CRACK FROM RUNNING, THEN WELD UP CRACK. USE STEPWELL REINFORCEMENT #10052268 WITH CRS (NON-STAINLESS) STEPWELL. USE STEPWELL REINFORCEMENT #10052269 WITH STAINLESS STEEL STEPWELL.
3. LOCATE REINFORCEMENT AS SHOWN, AND WELD TO STEPWELL AS SHOWN.
4. AFTER ALLOWING COOL DOWN TIME, SPRAY UNDERCOAT OVER REINFORCEMENT & CLEANED AREA ON STEPWELL.

ALL of our Service Updates can be found on the [New York Bus Sales website](#)
Or at the [New York Head Mechanic website](#)



CONTACT OUR SERVICE OR PARTS DEPARTMENT WITH ANY QUESTIONS

SERVICE

Director of Service

Ryan Hemund
rhemund@newyorkbussales.com
CELL 315-561-9121

Chittenango: 800-962-5768

Daryl Wallace
dwallace@newyorkbussales.com

Brian Lamaitis
blamaitis@newyorkbussales.com

Bob Reith
breith@newyorkbussales.com

Phil Tucker
ptucker@newyorkbussales.com

Albany: 866-867-1100

Ben Reiling
breiling@newyorkbussales.com

Rochester: 800-463-3232

Brandon Shepard
bshepard@newyorkbussales.com

Middletown: 845-609-7070

Moncia Mc Donald
mmcdonald@newyorkbussales.com

PARTS

Director of Parts

Dave Reichel
dreichel@newyorkbussales.com
CELL 315-396-5709

Chittenango: 800-962-5768

Gari McQuade
gmcquade@newyorkbussales.com

Bill Cox
bcoc@newyorkbussales.com

John Lewin
jlewin@newyorkbussales.com

Dave Grant
dgrant@newyorkbussales.com

Albany/Middletown: 866-867-1100

Sean Conway
sconway@newyorkbussales.com

Dan Haight
dhaight@newyorkbussales.com

Rochester: 800-463-3232

James Roeser
jroeser@newyorkbussales.com

ALL of our Service Updates can be found on the [New York Bus Sales website](#)
Or at the [New York Head Mechanic website](#)

