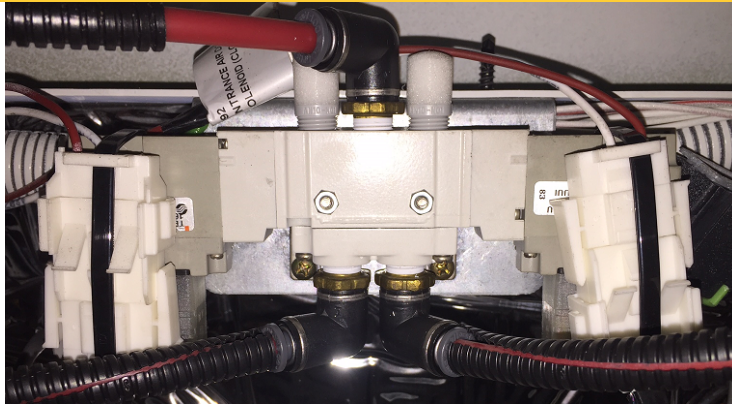


UPDATED CONTROL VALVE AVAILABLE

Tech Tip #17-0125



Cold Weather Issues With Air Operated Entrance Doors

Blue Bird just announced an updated “cold weather feature” for the air operated entrance door control valve. The prior valve was rated to -2° F and the updated valve is rated to -40° F.

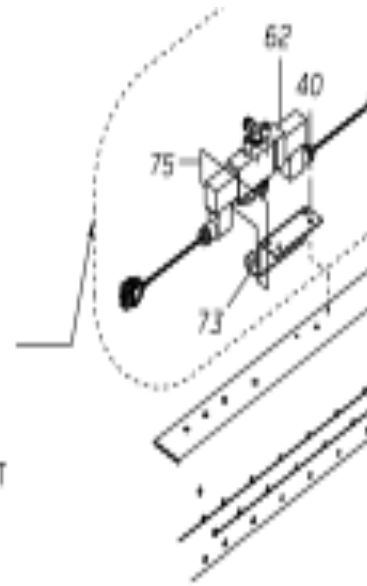
To verify that a unit you are experiencing issues with can be updated to this new valve, first contact our Parts Department with the body number. They will check the part number for the valve the unit was built with. If the original valve is part #10038033, it can be replaced with the new valve (part# 10048034) and new mounting bracket (part #10048042)

PLEASE NOTE: This is with ALL Type C & D product

ALL of our Service Updates can be found on the [New York Bus Sales website](#)
Or at the [New York Head Mechanic website](#)

PUNCH THRU
RUBBER BULB

WHEN COLD WEATHER VALVE FEATURE 30980-01 IS ORDERED, REPLACE VALVE ASSY
ITEM 62 PART NUMBER 10038033 WITH PART NUMBER 10048034 AND BRACKET ITEM
73 PART NUMBER 10039160 WITH PART NUMBER 10048042. INSTALL VALVE ASSY
10048034 INTO BRACKET 10048042 AND SECURE WITH (2) TIE WRAPS ITEM 69 PART
NUMBER 00059567 AROUND BOTTOM OF BRACKET AND THROUGH .25 DIAMETER
HOLES LOCATED ON THE TOP FLANGE OF THE BRACKET. SEE DETAIL B.



DETAIL B

© FEATURE 30980-01 INSTALLATION

ALL of our Service Updates can be found on the [New York Bus Sales website](#)
Or at the [New York Head Mechanic website](#)



CONTACT OUR SERVICE OR PARTS DEPARTMENT WITH ANY QUESTIONS

SERVICE

Chittenango: 800-962-5768
Daryl Wallace or Brian Lamaitis

Rochester: 800-463-3232
Dave Schaub

Albany: 866-867-1100
Ben Reiling

Warranty: 800-962-5768
Morgan Jenkins

**Customer Service
Representatives**

Eastern Region:
Gary Bigness
845-500-3707

Central Region:
JJ Richmond
315-559-3999

Western Region:
Mike Panzica
716-908-3186

PARTS

Director of Parts
Jim Hogan
jhogan@newyorkbussales.com
607-227-5794

Chittenango: 800-962-5768
Gari McQuade
gmcquade@newyorkbussales.com
Bill Cox
bcox@newyorkbussales.com
John Lewin
jlewin@newyorkbussales.com
Dave Grant
dgrant@newyorkbussales.com

Albany: 866-867-1100
Sean Conway
sconway@newyorkbussales.com
John Green
jgreen@newyorkbussales.com

Rochester: 800-463-3232
Dave Cook
dcook@newyorkbussales.com
Steve Hibbard
shibbard@newyorkbussales.com

ALL of our Service Updates can be found on the [New York Bus Sales website](#)
Or at the [New York Head Mechanic website](#)

