

Tech Tip



From your friends at New York Bus Sales

CAT Air Compressor Coolant Hose

Complaint - There is a coolant leak at the engine and unit was just serviced with no issues found.

Cause - The coolant hoses running to the air compressor on the CAT engines are a “steel reinforced” rubber hose and we have seen where the hoses are deteriorating from the inside and while hoses appear to be fine externally they are actually failing from the inside (Figures #1 & #2) and once the outer layer of rubber give way we have a leak. We know that with conventional coolant hoses they appear to “expand” when they are deteriorating but the reinforcement of the steel holds these lines in shape so that they appear fine.

Correction - When doing a PM Service, have your Techs physically grab the hoses (#2 & #4 In Figure #5) and twist, especially at the fittings. The hose should feel “stiff” the whole length. If it does not it should be removed to eliminate possibility of a road failure.

PLEASE NOTE – CAT does a good job of numbering their hoses with a metal tab (Figure #3) but please tell Techs not to hit the wire wheel too hard as the stamping in the tag is not deep and you may make the number illegible (Figure #4).....actual number was 233-3663 but as you can see the last 4 digits are difficult to make out.



FIGURE #1



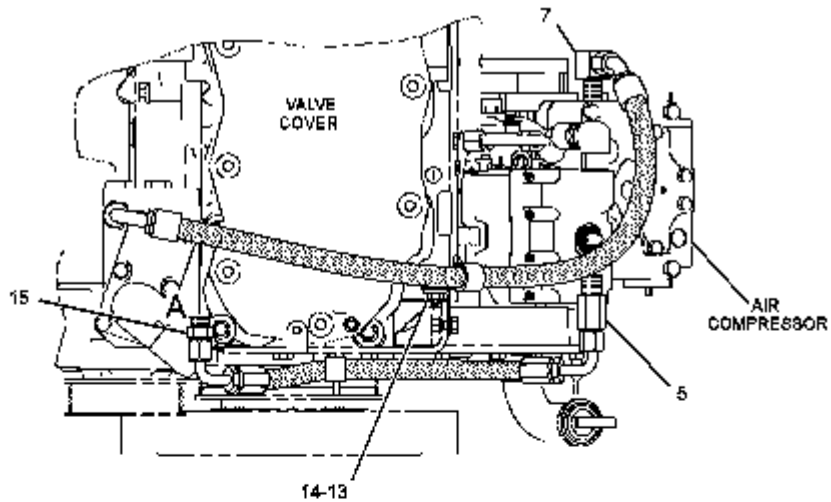
FIGURE #2



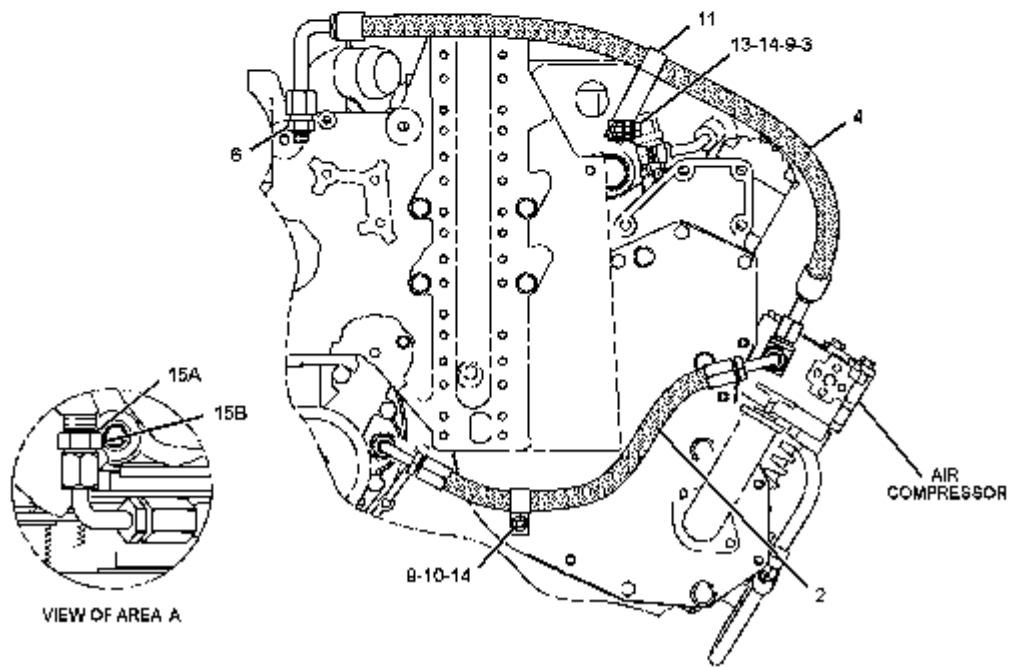
FIGURE #3



FIGURE #4



TOP VIEW OF ENGINE



FRONT VIEW OF ENGINE

Figure #5

*Thank You
Harry from Duanesburg Central School
For pointing this out to us!!!*

*Part Numbers
THEY ARE ENGINE SPECIFIC
AND AS STATED SHOULD BE
ON THE TAG WRAPPED
AROUND THE HOSE!*

Contact Our Service Department With Any Questions

*CHITTENANGO – phone 800-962-5768 or
Daryl Wallace : dwallace@newyorkbussales.com*

Brian Lamaitis : blamaitis@newyorkbussales.com

*ROCHESTER – phone 800-463-3232 or
Gary Chichester: gchichester@newyorkbussales.com*

*ALBANY – phone 866-867-1100 or
Ben Reiling: breiling@newyorkbussales.com*

Steve Searles: ssearles@newyorkbussales.com

WARRANTY – 800-962-5768 ext 237

Morgan Jenkins: mjenkins@newyorkbussales.com



ALL of our Tech Tips can be found on the New York Bus Sales website at
<http://www.newyorkbussales.com/pages/bulletins.cfm>
Or at the New York Head Mechanic website at
<http://www.nyhma.org/viewforum.php?f=2&start=0>