

Tech Tip

FROM YOUR FRIENDS AT
NEW YORK BUS SALES!



BBCV Front Body Mount

- Complaint –** Driver complained that there was a loud “cracking” noise coming from in under the floor in under the firewall-
- Cause –** The angle mount that bolts to the chassis on the frame rail and then mounts to the body at the front outrigger (#16 in Figure #4) is broken. As you can see in Figure #1 the break may not be clearly evident. Figure #2 shows one which is clearly evident. Figure #3 shows one that has been removed.
- Correction –** Replace the broken bracket-



Figure #1



Figure #2



Figure #3

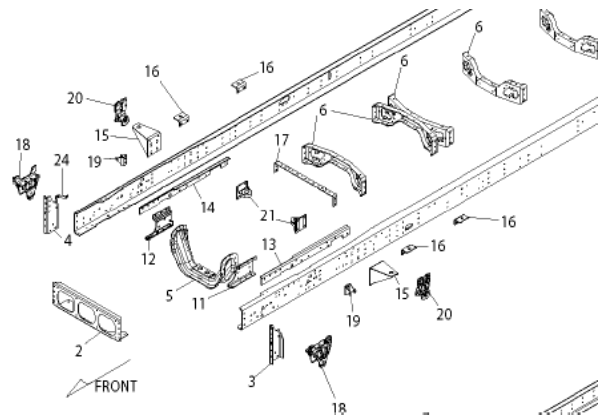


Figure #4

PART #00073339

**Thank You to Greg Nichols from
Candor Central School for
pointing this out to us!**



NEW YORK BUS SALES

Contact Our Service Department With Any Questions

CHITTENANGO – phone 800-962-5768 or

Daryl Wallace : dwallace@newyorkbussales.com

Brian Lamaitis : blamaitis@newyorkbussales.com

ROCHESTER – phone 800-463-3232 or

Gary Chichester: gchichester@newyorkbussales.com

ALBANY – phone 866-867-1100 or

Ben Reiling: breiling@newyorkbussales.com

WARRANTY – 800-962-5768 ext 237

Morgan Jenkins: mjenkins@newyorkbussales.com

Or Your Customer Support Representative

West

Michael Panzica – mpanzica@newyorkbussales.com

Cell 716-908-3186

Central

Jeremie “JJ” Richmond –

jrichmond@newyorkbussales.com

Cell 315-559-3999

East

Gary Bigness – gbigness@newyorkbussales.com

Cell 845-500-3707

ALL of our Tech Tips can be found on the New York Bus Sales website at

<http://www.newyorkbussales.com/pages/bulletins.cfm>

Or at the New York Head Mechanic website at

<http://www.nvhma.org/viewforum.php?f=2&start=0>