



Bendix Maintenance “KIT”

Parts Update #16-0822

AIR DISC MAINTENANCE PACK

Recently, while doing training on the new Bendix Air Disc brake system, the trainer brought to our attention that while servicing the Air Disc is much more simplified than the drum system, there are some things which they have noticed in the field:

1. Many Techs when adjusting the shear adapter use a wrench which has too much leverage and they snap the adjuster off. While at training we found a 9MM X 10MM ratcheting wrench, which was about 6” in length, and found it to be very good for this.
2. There are some “smaller” parts which do come in the pad kits that tend to get dropped and bounce into drains where it is difficult to retrieve. Techs then go to the shelf and pull the necessary parts from the pad kit so that when the pad kit is used those parts are not present!

Techs at the class inquired about “kits” which might include these parts but Bendix only sells as individual pieces. New York Bus Sales decided to put “Maintenance Kits” together for Techs which would help those customers using the Air Disc.

Figure #1 shows the exploded view of the basic Air Disc set up and Figure #2 shows the “Pad Kit” and what comes with the set of pads.

We have 2 kits available, one which includes the “small” items and one which includes the “small” items AND a short ratcheting wrench.

More info on the Bendix Air Disc system can be found at www.Bendix.com

ALL of our Service Updates can be found on the [New York Bus Sales website](#)
Or at the [New York Head Mechanic website](#)

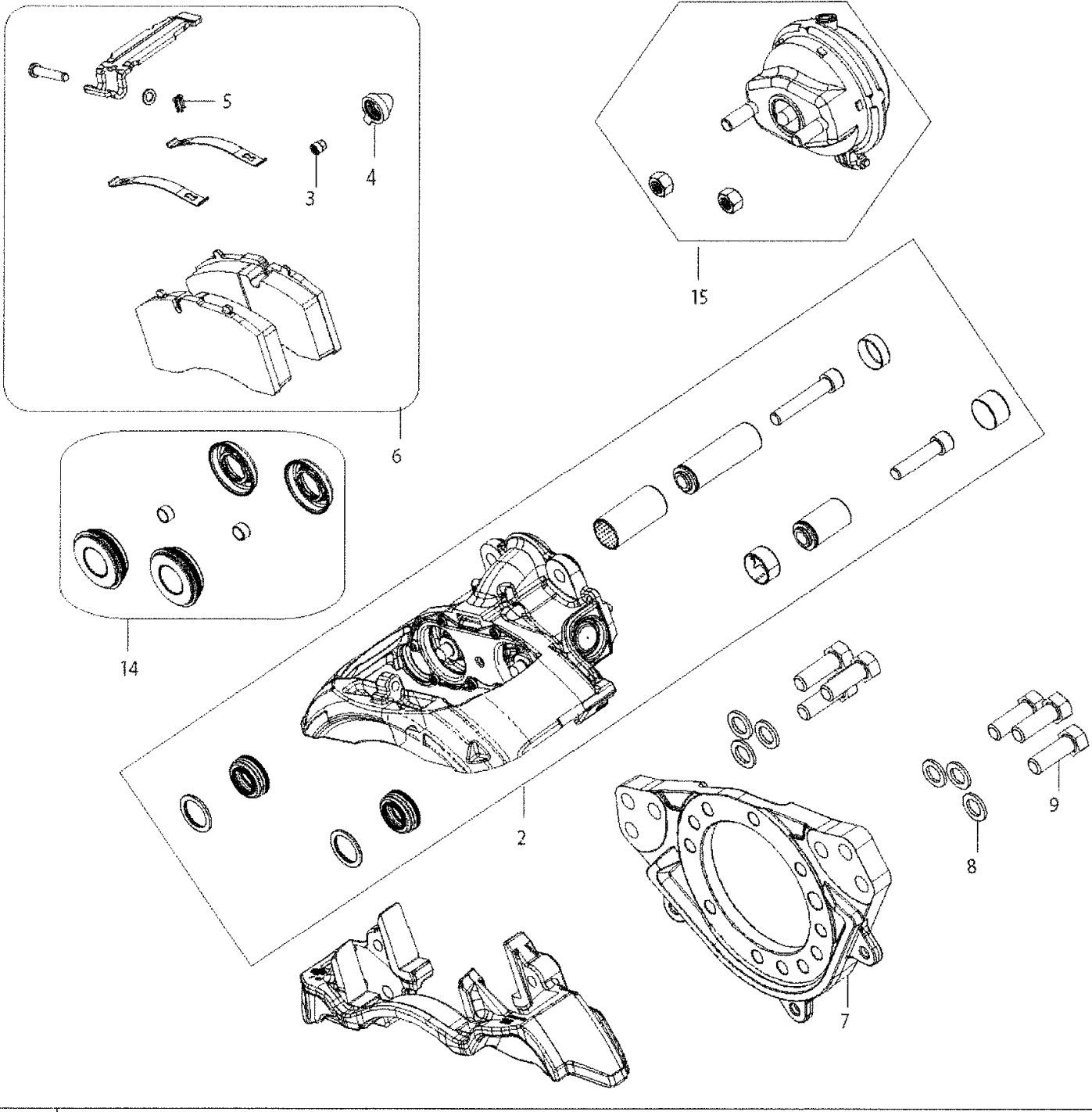


FIGURE #1

ALL of our Service Updates can be found on the [New York Bus Sales website](#)
Or at the [New York Head Mechanic website](#)



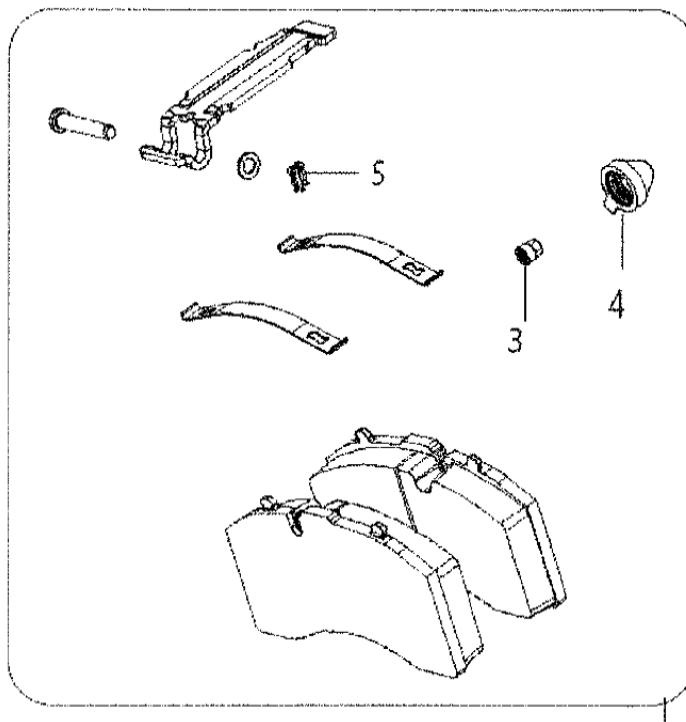


Figure #2

Kit Part # AIR DISC MAINT KIT #1

INCLUDES

1-9MM X 10MM “short” Ratcheting Wrench

10 - #3 – Shear Adapter/PT#10034944

10 - #4 – Adjuster Cap/PT#10034946

10 - #5 – Pad Retainer Pin Spring Clip/PT#10034943

Kit Part # AIR DISC MAINT KIT #2

INCLUDES

10 - #3 – Shear Adapter/PT#10034944

10 - #4 – Adjuster Cap/PT#10034946

10 - #5 – Pad Retainer Pin Spring Clip/PT#10034943

ALL of our Service Updates can be found on the [New York Bus Sales website](#)
Or at the [New York Head Mechanic website](#)

CONTACT OUR PARTS DEPARTMENT WITH ANY QUESTIONS

Director of Parts

Jim Hogan

jhogan@newyorkbussales.com

607-227-5794

Chittenango: 800-962-5768

Gari McQuade

gmcquade@newyorkbussales.com

Bill Cox

bcox@newyorkbussales.com

John Lewin

jlewin@newyorkbussales.com

Dave Grant

dgrant@newyorkbussales.com

Albany: 866-867-1100

Sean Conway

sconway@newyorkbussales.com

John Green

jgreen@newyorkbussales.com

Rochester: 800-463-3232

Dave Cook

dcook@newyorkbussales.com

Steve Hibbard

shibbard@newyorkbussales.com

ALL of our Service Updates can be found on the [New York Bus Sales website](#)
Or at the [New York Head Mechanic website](#)

