



Service Information System

[Shutdown SIS]

[Previous Screen]

← Product: TRUCK ENGINE
Model: C7 TRUCK ENGINE C7S
Configuration: C7 On-highway Engine C7S00001-UP

**Operation and Maintenance Manual
C7 and C9 On-highway Engines**

Media Number -SEBU8083-10

Publication Date -01/12/2011

Date Updated -19/12/2011

i02678214

Crankcase Fumes Fitting - Inspect/Clean

SMCS - 1317-040; 1317-070

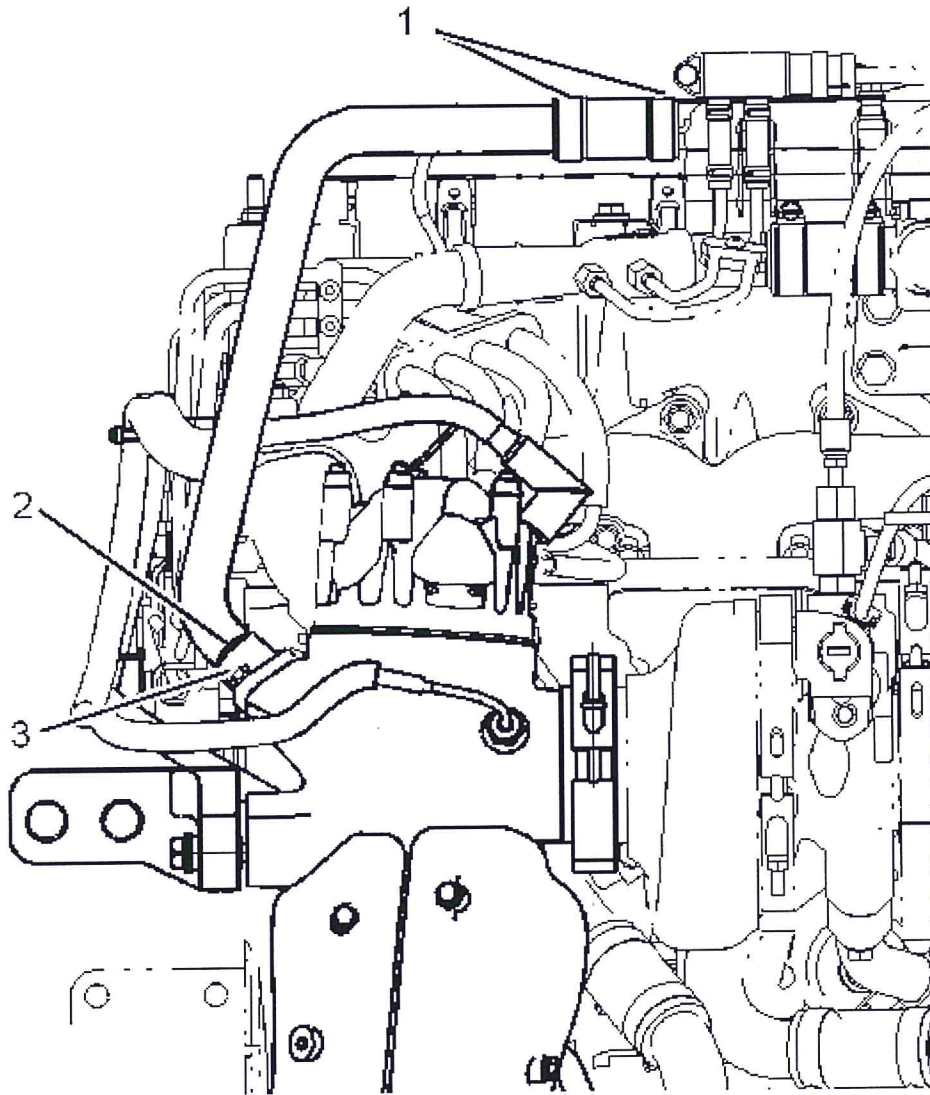


Illustration 1

g01345683

- (1) Clamps
- (2) Nut
- (3) Fitting

1. Loosen the clamps that attach the tube that carries fumes from the engine crankcase breather to the aftertreatment regeneration device (ARD). Remove the end of the tube from the breather.
2. Remove the nut at the end of the tube from the fitting and move the tube to one side. The fitting will remain in the ARD.
3. If fitting (3) is accessible, this procedure may be performed with the fitting on the combustion head. If the fitting is not accessible, remove the fitting and use a vise to hold the fitting.

4. Install a **6V-7092** Brush into a drill and clean the fitting.
5. Reinstall the nut onto the tube and tighten the nut. Refer to the engine's Specifications manual for the proper torque.
6. Reinstall the end of the tube through the hose into the breather. Reinstall the hose clamps. Refer to Specifications, SENR3130 for the proper torque for the hose clamp.

Copyright 1993 - 2013 Caterpillar Inc.
All Rights Reserved.
Private Network For SIS Licensees.

Fri Jul 12 09:00:35 EDT 2013